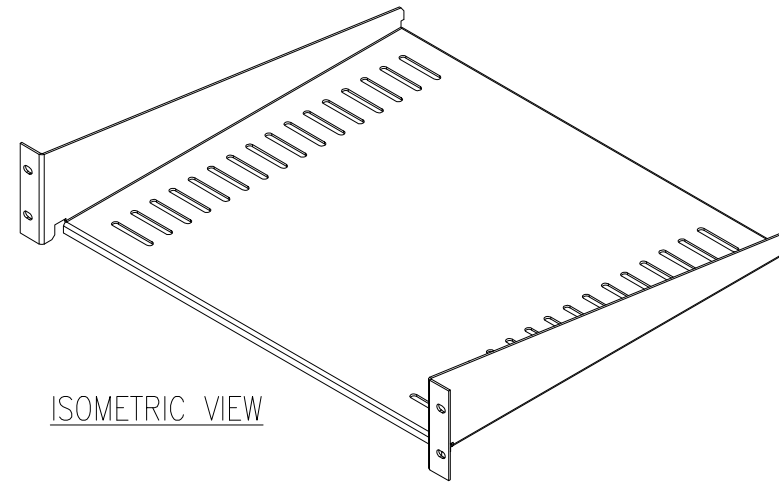
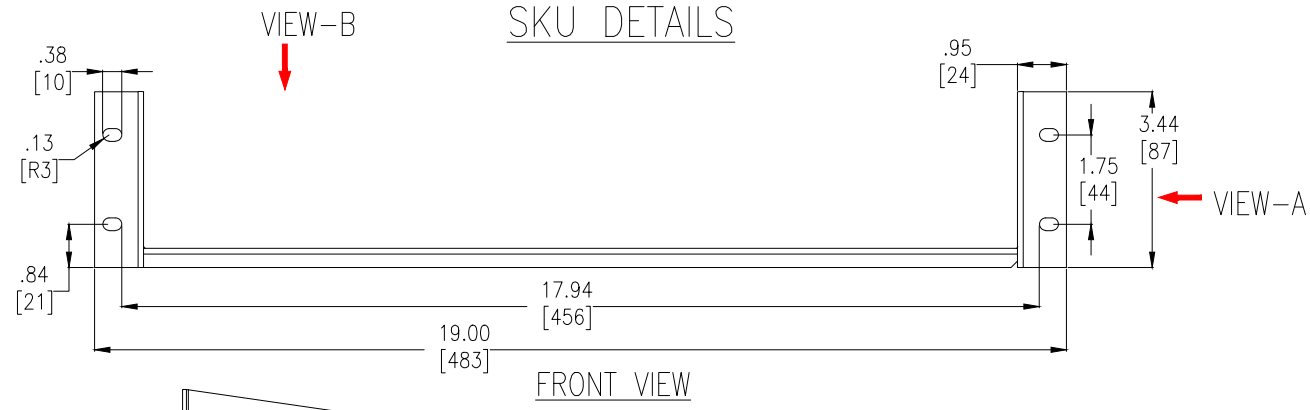
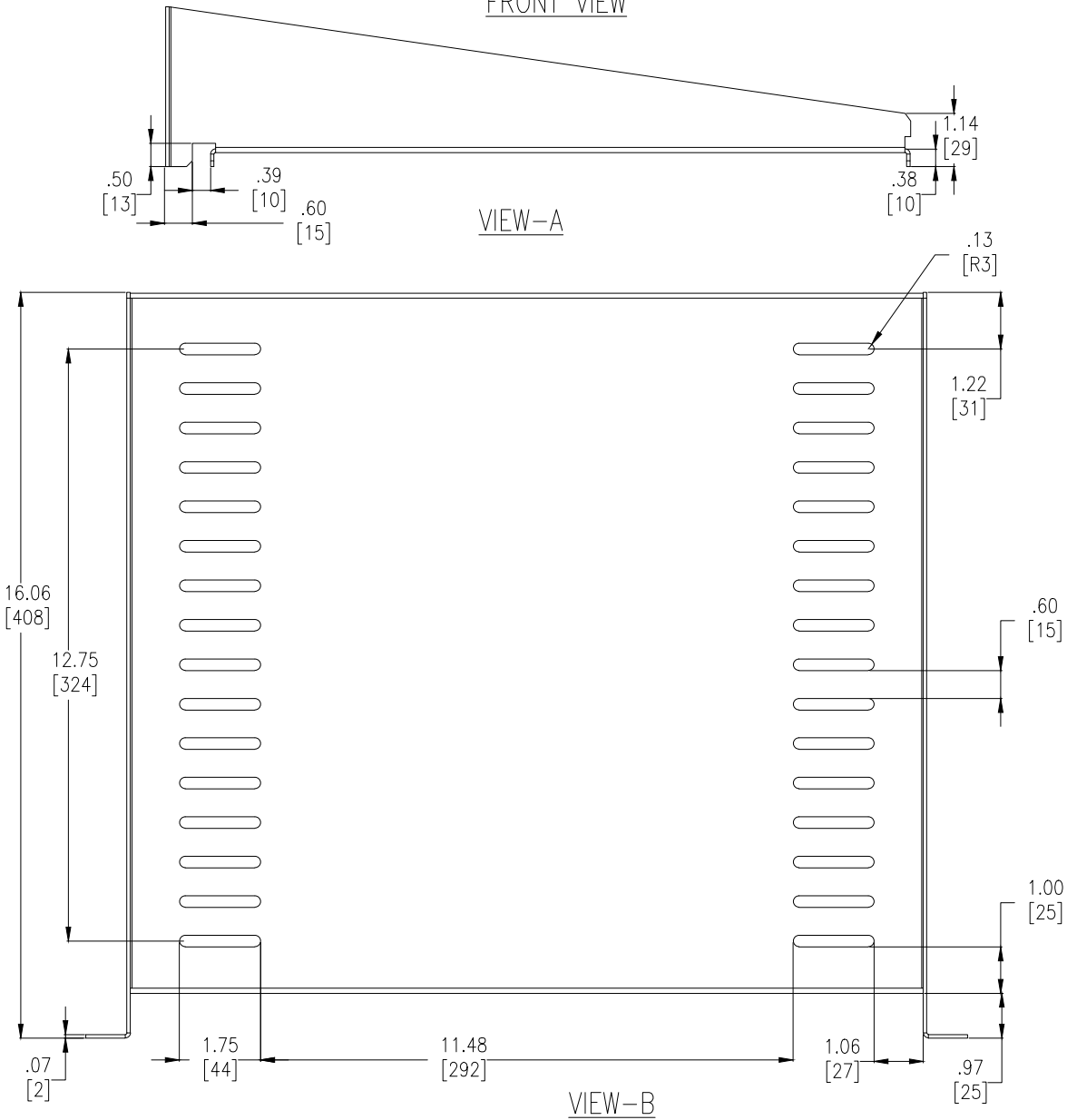


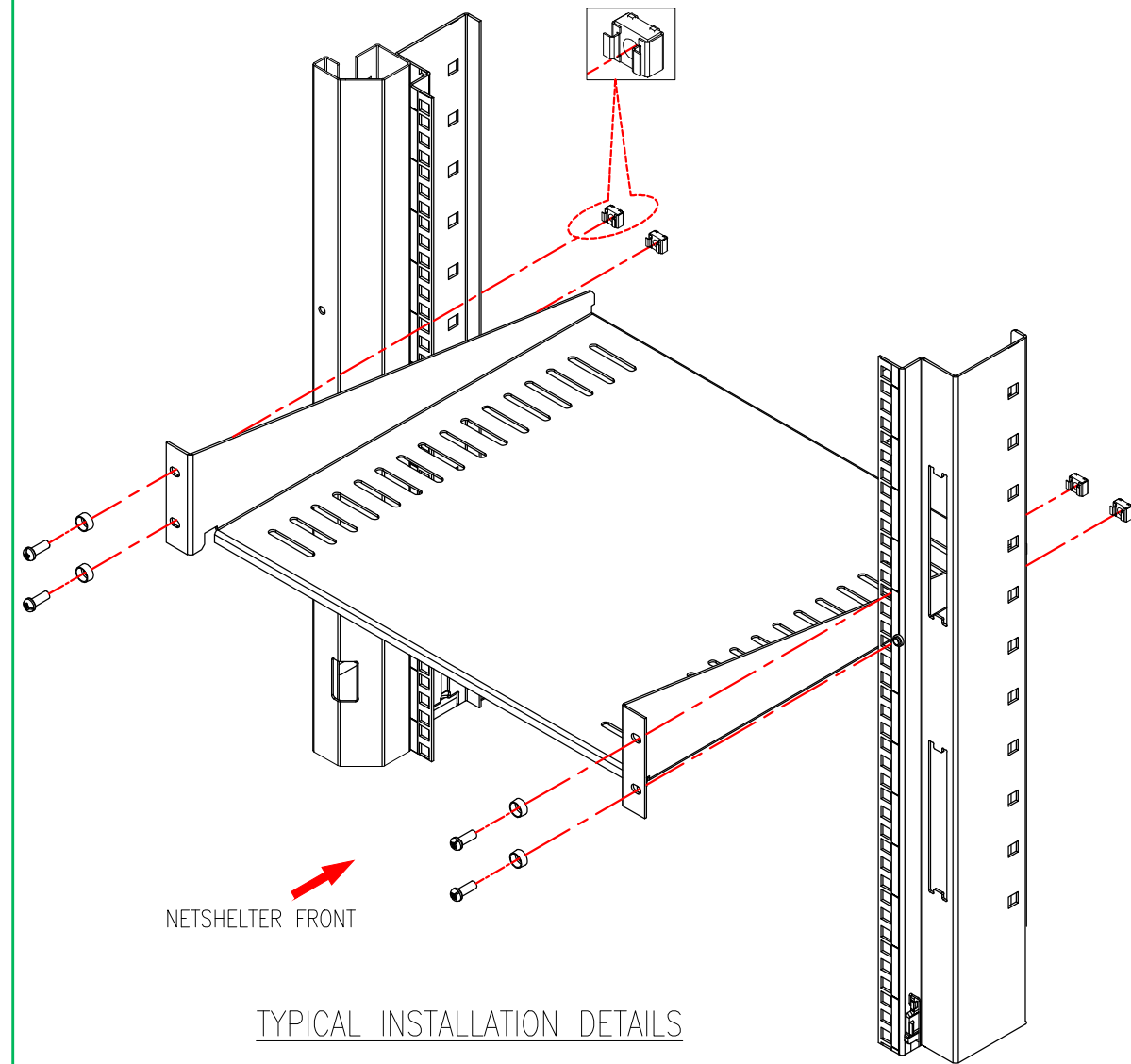
### SKU DETAILS



ISOMETRIC VIEW



### APPLICATION DETAILS



NETSHELTER FRONT

TYPICAL INSTALLATION DETAILS

**NOTES:**

1. INSTALLATION SHALL COMPLY WITH ALL APPLICABLE NATIONAL AND LOCAL CODES.
2. SEE PRODUCT DOCUMENTATION FOR FURTHER INFORMATION.
3. UNLESS OTHERWISE SPECIFIED, ALL DIMENSIONS ARE IN INCHES [MILLIMETERS].
4. WEIGHT OF ONE UNIT IS 5 LBS [2.27 kg].
5. EACH SKU OF RM84001 INCLUDES (4) M6 SCREWS, (4) M6 CUP WASHERS & (4) CAGED NUTS.

THIS DRAWING AND SPECIFICATIONS HEREIN ARE THE PROPERTY OF Rakworx AND SHALL NOT BE COPIED, REPRODUCED OR USED IN WHOLE OR IN PART, AS THE BASIS FOR THE MANUFACTURE OR SALE OF ITEMS WITHOUT WRITTEN PERMISSION FROM Rakworx. THIS DRAWING IS BASED UPON LATEST AVAILABLE INFORMATION AND IS SUBJECT TO CHANGE WITHOUT NOTICE.

Name	Date	Description	Drawing No.
Drawn by		MAIN MECHANICAL	RM84001
Approved by			Unit: mm
		Scale: 1:1	Sheet: 10F1
		Third angle projection	