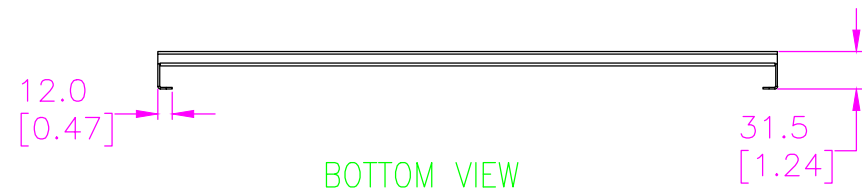


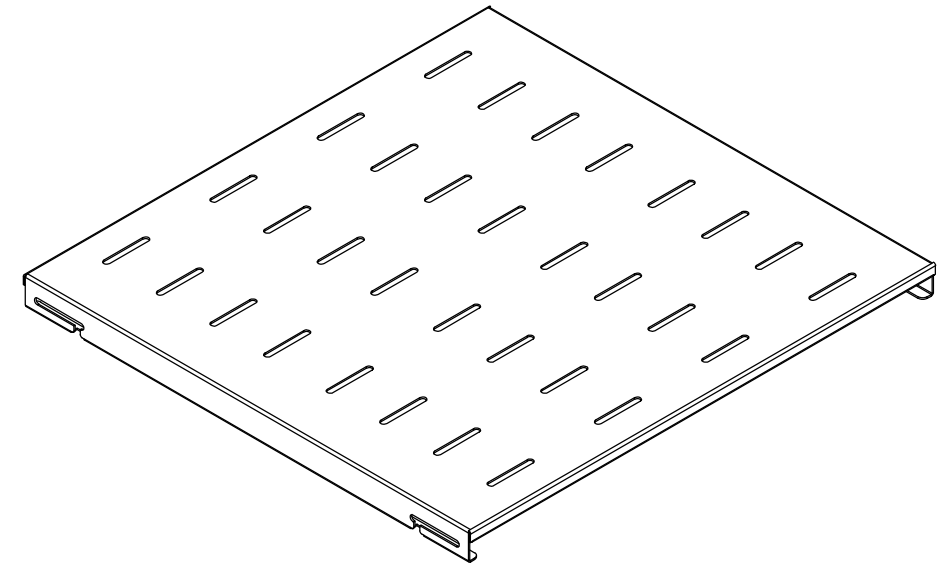
FRONT VIEW

SIDE VIEW

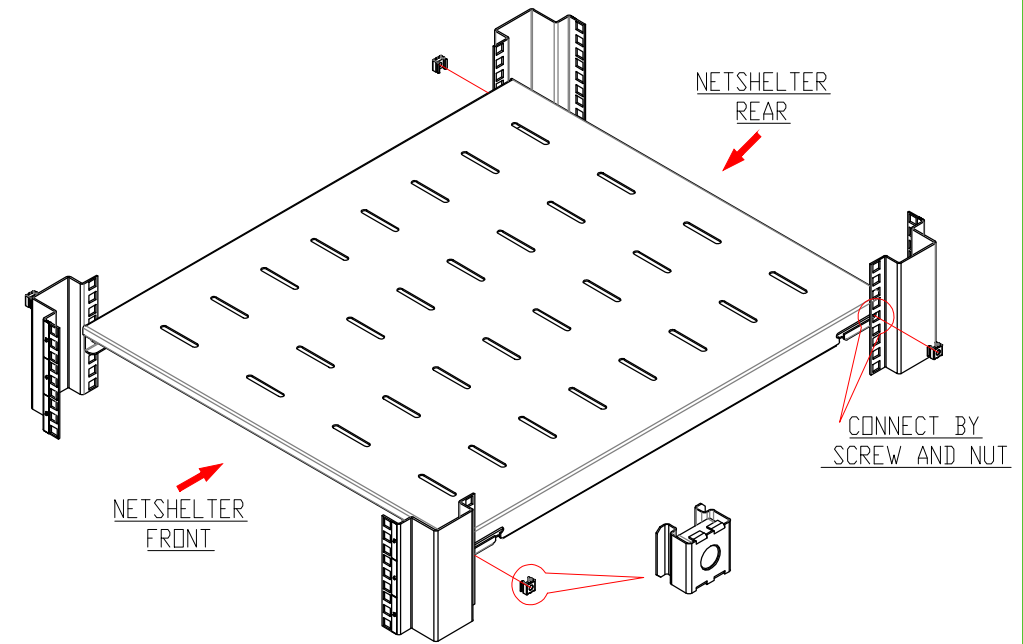


BOTTOM VIEW

ISOMETRIC VIEW



APPLICATION DETAILS



NOTES:

- 1.THE FIXTURE CAN BE USED TO INSTALL VERTICAL EQUIPMENT, MONITORS, AND OTHER EQUIPMENT INTO A RACK ENVIRONMENT.
- 2.USING 1.5MM THICK AND HIGH QUALITY COLD ROLLED STEEL PLATE TO ENSURE HE STRENGTH AND DURABILITY.
- 3.UNLESS OTHERWISE SPECIFIED, ALL DIMENSIONS ARE IN MILLIMETERS[INCHES].
- 4.BLACK POWDER SPRAYING SURFACE, SCRATCH RESISTANT.

PART NUMBER	INSTALLATION DEPTH D	LOAD	APPLICATION	PMA INSTALLATION DEPTH
RM 84007-500	500 mm	50 Kg	1000 Deep	598 mm
RM 84007-600	600 mm	50 Kg	1100 Deep	736 mm
RM 84007-700	700 mm	50 Kg	1200 Deep	800 mm

THIS DRAWING AND SPECIFICATIONS HEREIN ARE THE PROPERTY OF Rakworx AND SHALL NOT BE COPIED, REPRODUCED OR USED IN WHOLE OR IN PART, AS THE BASIS FOR THE MANUFACTURE OR SALE OF ITEMS WITHOUT WRITTEN PERMISSION FROM Rakworx. THIS DRAWING IS BASED UPON LATEST AVAILABLE INFORMATION AND IS SUBJECT TO CHANGE WITHOUT NOTICE.

Name	Date	Description	Drawing No.
Drawn by		MAIN MECHANICAL	RM84007
Approved by			
Rakworx		Scale: 1:1	Unit: mm
		Third angle projection	Sheet: 1OF1