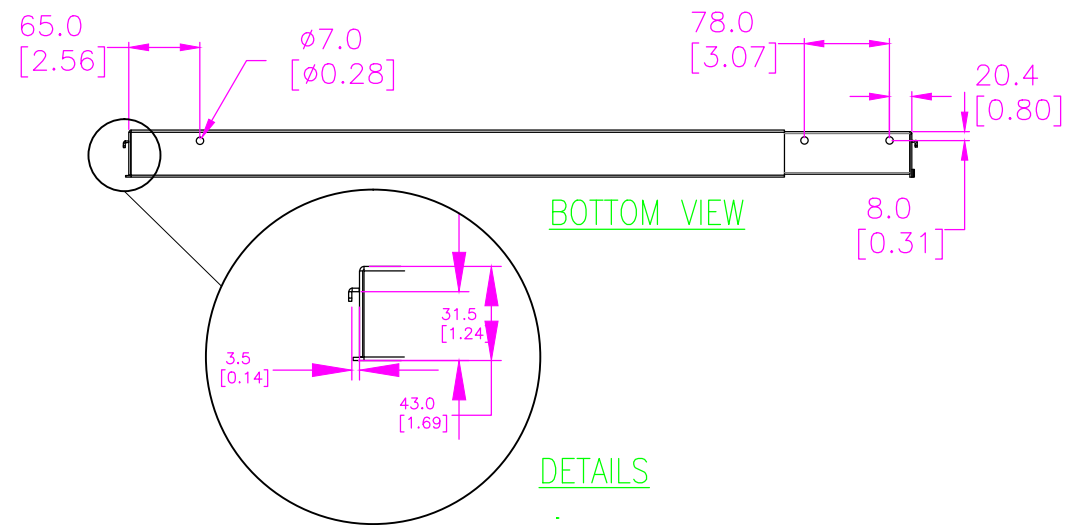
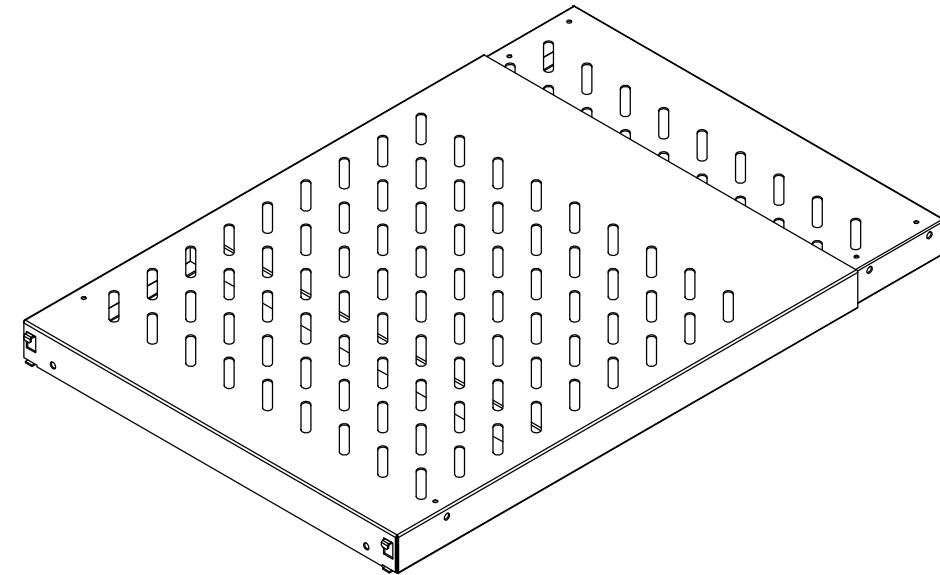
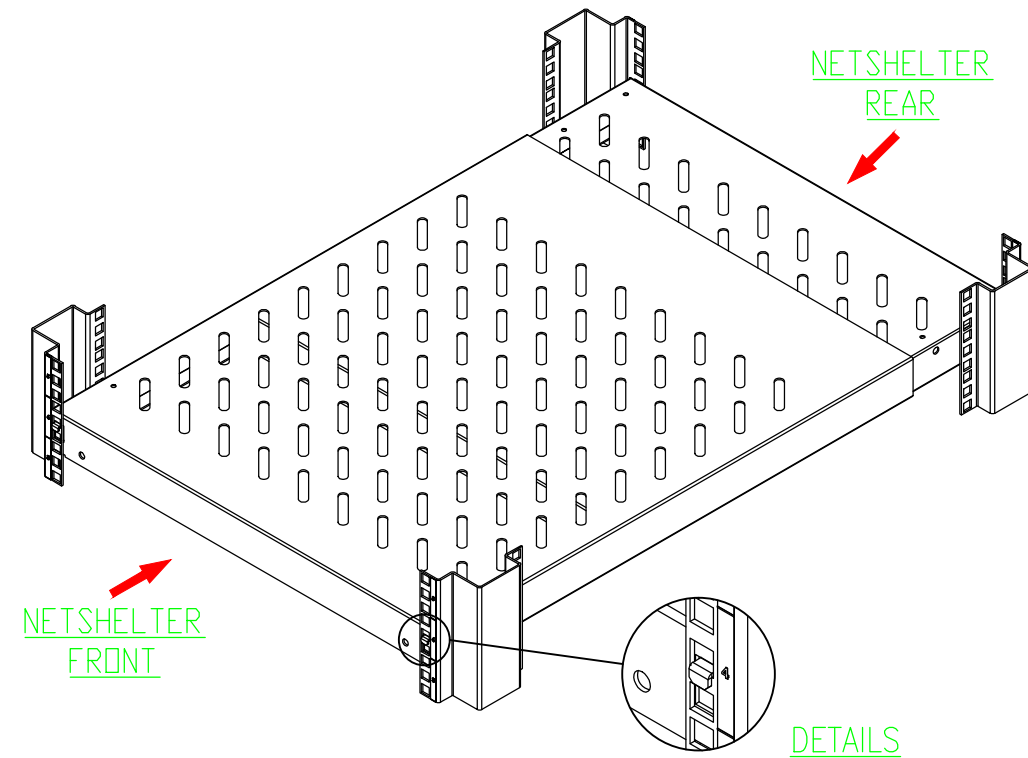


ISOMETRIC VIEW



APPLICATION DETAILS



NOTES:

- 1.SIMPLE INSTALLATION DIRECTLY INSTALLED IN THE CABINET, THE ANGLE GAUGE, LOCATED ON THE FOUR BRACKET, THE BRACKET IS FIXED ON THE GAUGE.
- 2.USING 1.5MM THICK AND HIGH QUALITY COLD ROLLED STEEL PLATE TO ENSURE HE STRENGTH AND DURABILITY.
- 3.UNLESS OTHERWISE SPECIFIED, ALL DIMENSIONS ARE IN MILLIMETERS[INCHES].
- 4.BLACK POWDER SPRAYING SURFACE, SCRATCH RESISTANT.
- 5.FREE TOOL INSTALLATION.
- 6.FOR 1000 TO 1200 DEEP CABINETS.
- 7.LOAD CAPACITY 100KG.

THIS DRAWING AND SPECIFICATIONS HEREIN ARE THE PROPERTY OF Rakworx AND SHALL NOT BE COPIED, REPRODUCED OR USED IN WHOLE OR IN PART, AS THE BASIS FOR THE MANUFACTURE OR SALE OF ITEMS WITHOUT WRITTEN PERMISSION FROM Rakworx. THIS DRAWING IS BASED UPON LATEST AVAILABLE INFORMATION AND IS SUBJECT TO CHANGE WITHOUT NOTICE.

Name	Date	Description	Drawing No.
Drawn by		FIXED SHELF 100KG,BLACK MAIN MECHANICAL	RM84010
Approved by			Unit: mm
		Scale: 1:1	Sheet: 10F1
		Third angle projection	