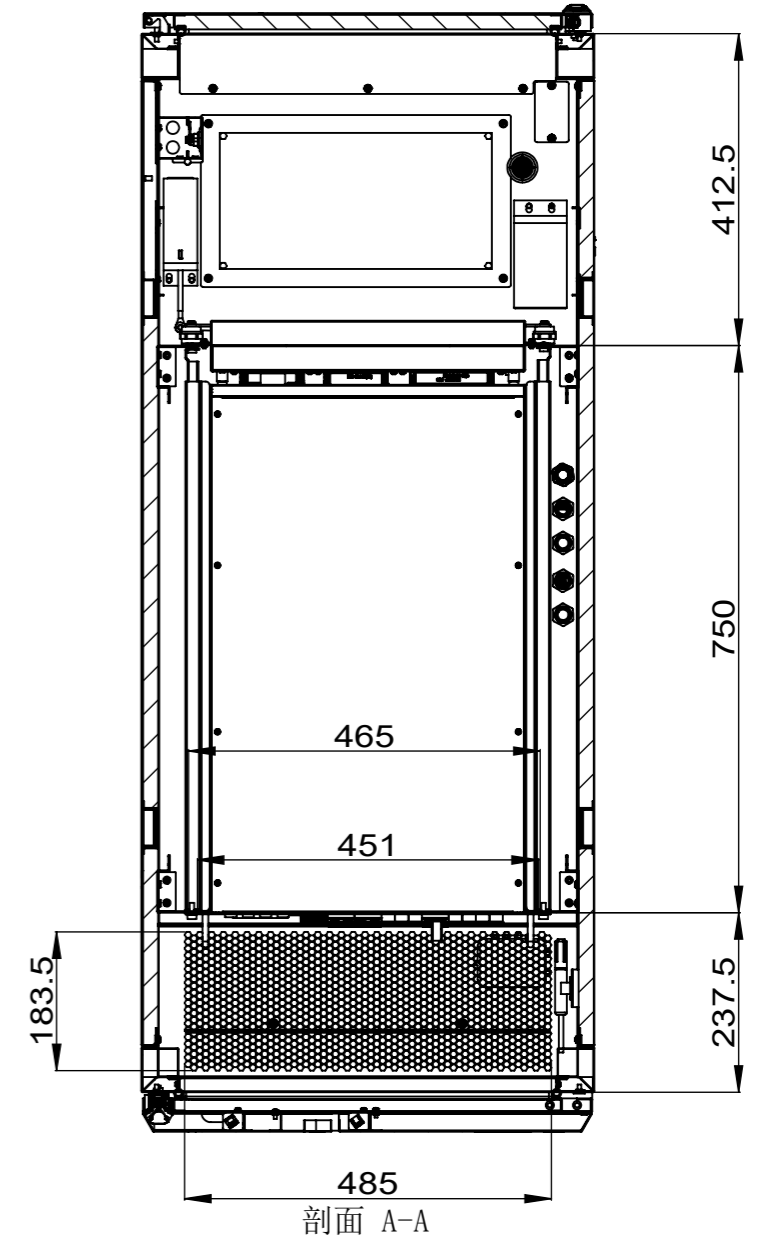
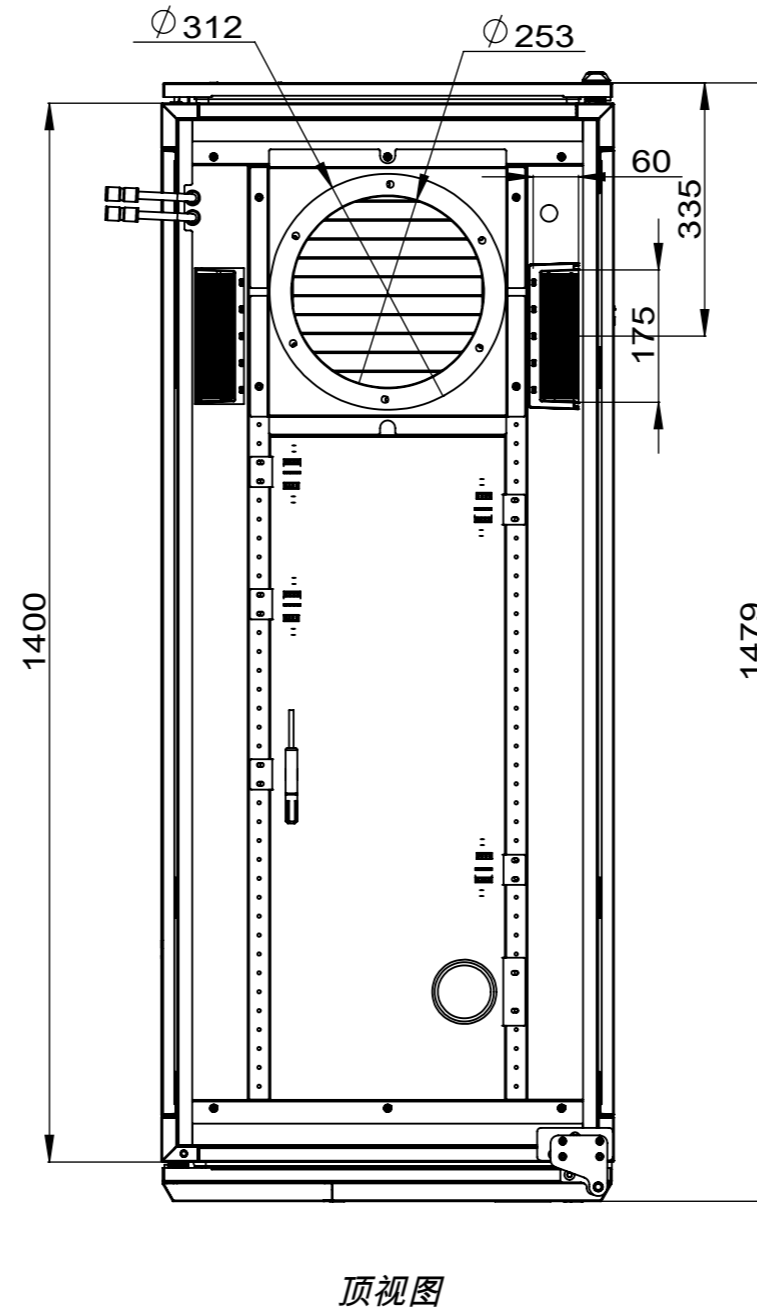
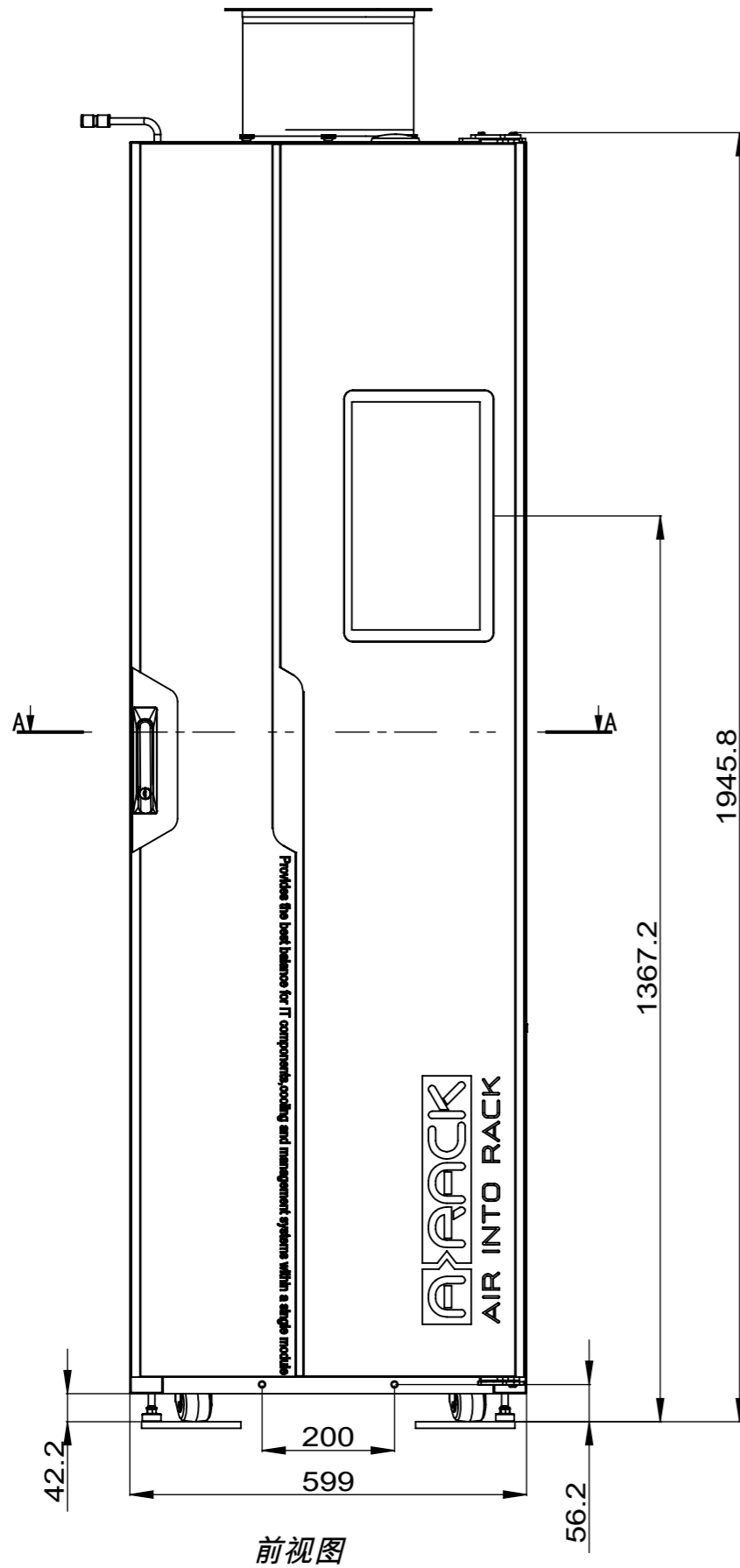


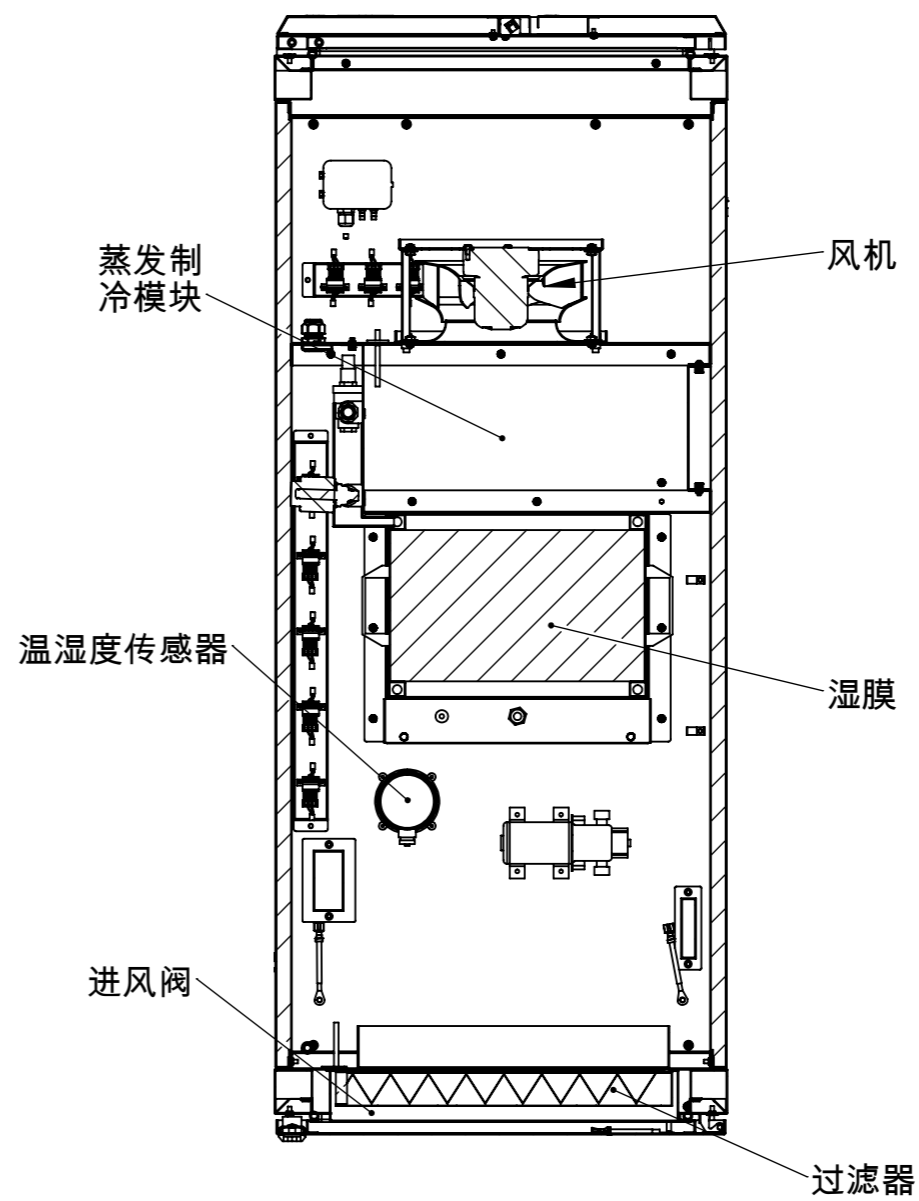
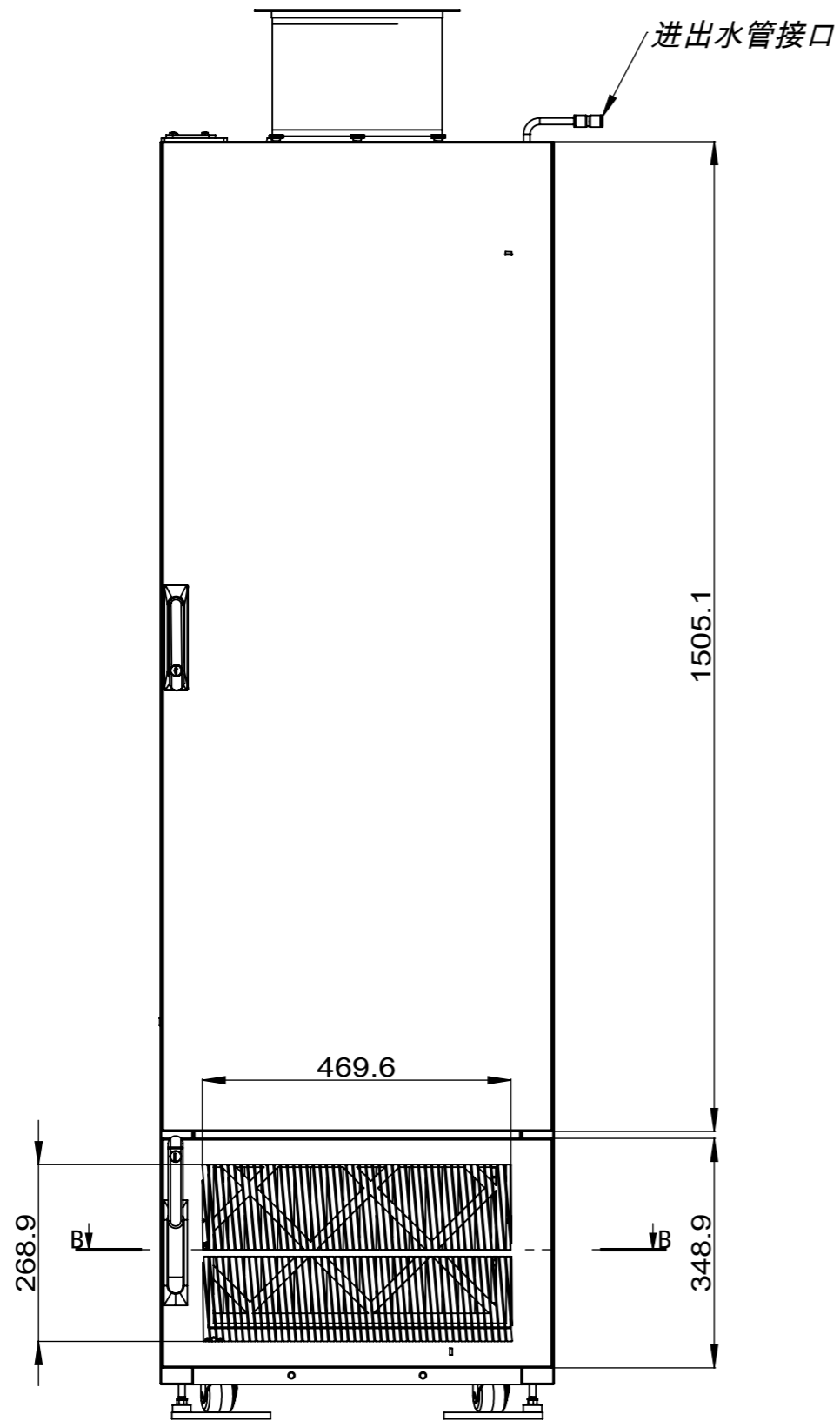
序号	设变内容	姓名	日期
1			



THIS DRAWING AND SPECIFICATIONS HEREIN ARE THE PROPERTY OF Rakworx AND SHALL NOT BE COPIED, REPRODUCED OR USED IN WHOLE OR IN PART, AS THE BASIS FOR THE MANUFACTURE OR SALE OF ITEMS WITHOUT WRITTEN PERMISSION FROM Rakworx. THIS DRAWING IS BASED UPON LATEST AVAILABLE INFORMATION AND IS SUBJECT TO CHANGE WITHOUT NOTICE.

	Name	Date	Description	Drawing No.
Drawn			ACN62140-2000-600	REV01
Approved by				Unit:mm [inch]
			Scale : 1:10	Third angle projection
				Sheet:4

序号	设变内容	姓名	日期
1			



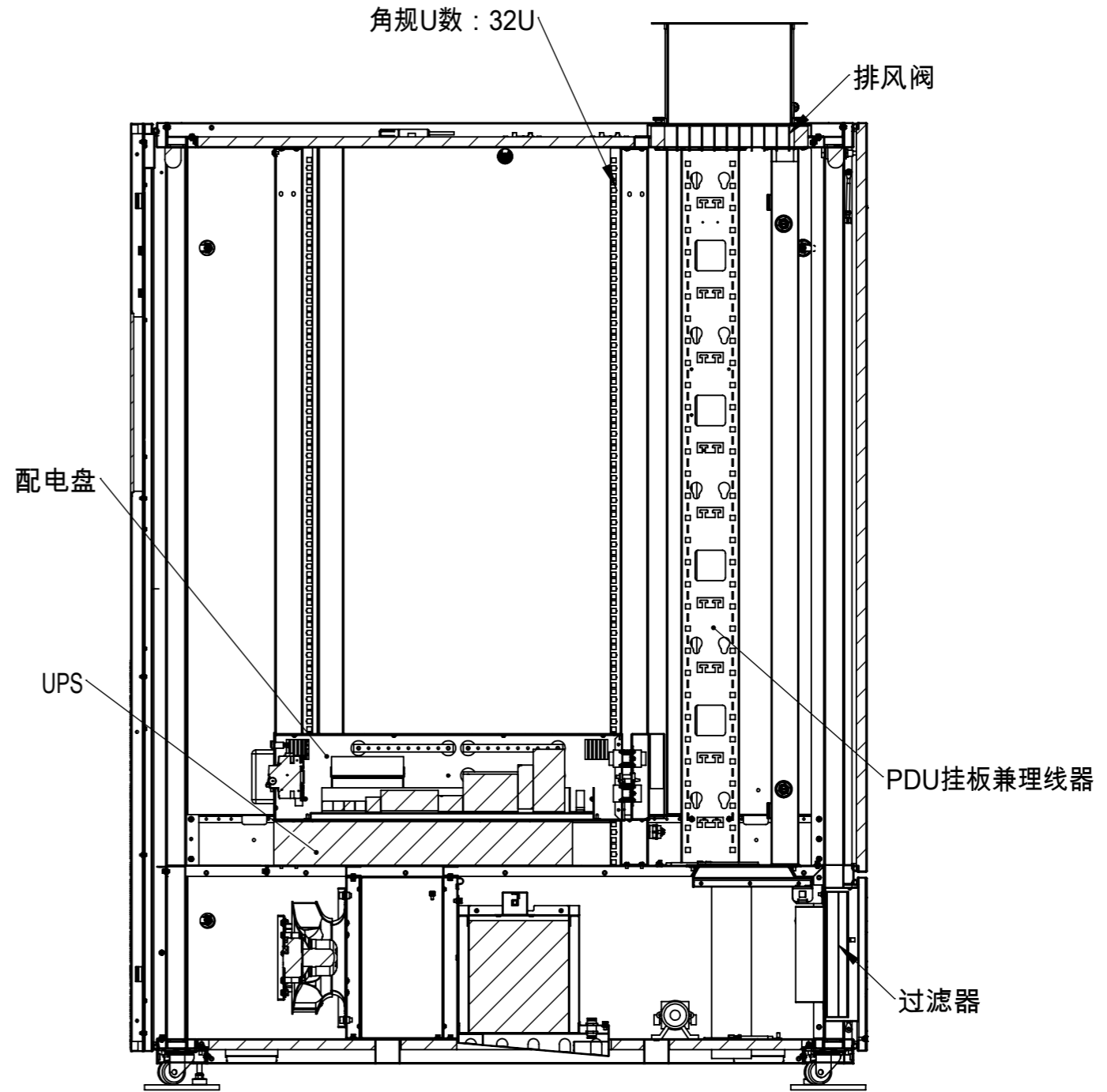
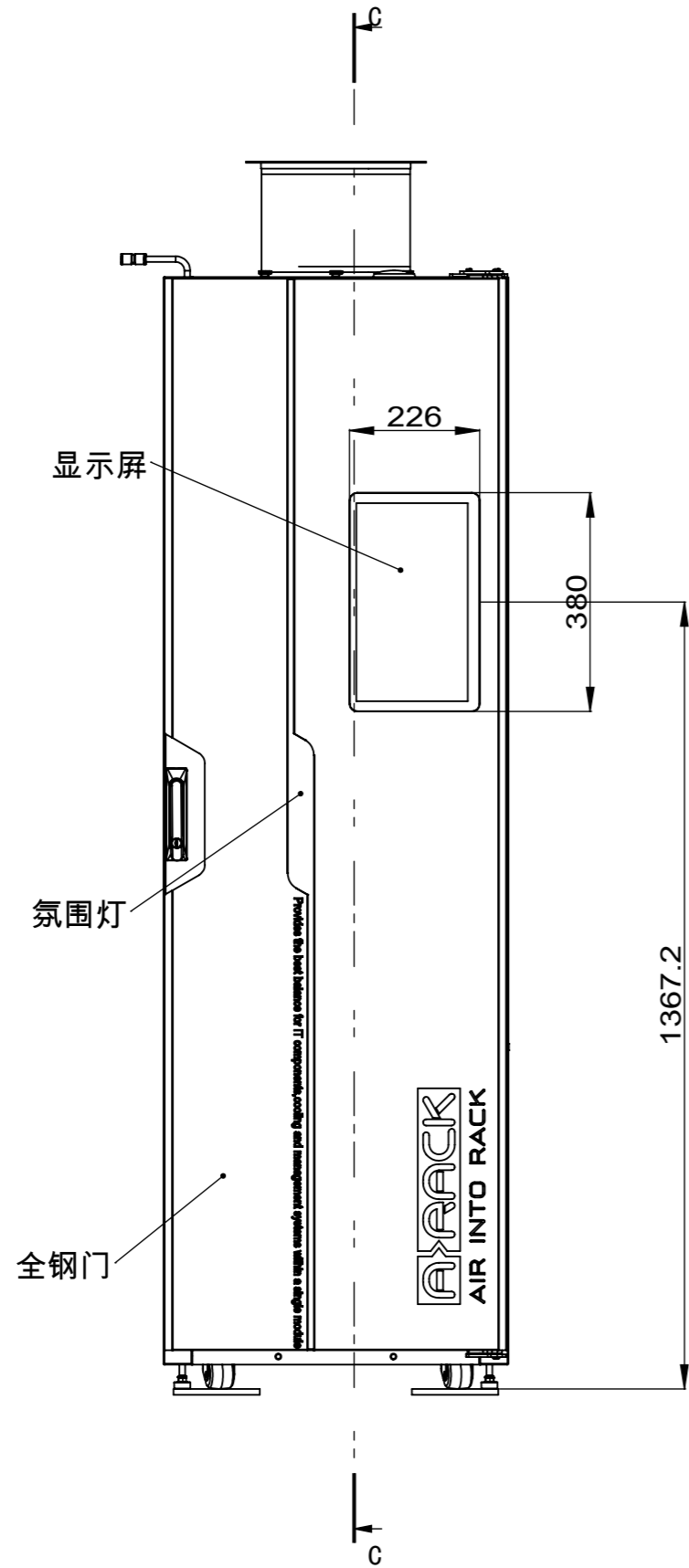
剖面 B-B

后视图



THIS DRAWING AND SPECIFICATIONS
HEREIN ARE THE PROPERTY OF
Rakworx AND SHALL NOT BE COPIED,
REPRODUCED OR
USED IN WHOLE OR IN PART, AS THE BASIS
FOR THE MANUFACTURE
OR SALE OF ITEMS WITHOUT WRITTEN
PERMISSION FROM Rakworx. THIS
DRAWING IS BASED UPON LATEST
AVAILABLE
INFORMATION AND IS SUBJECT TO
CHANGE WITHOUT NOTICE.

	Name	Date	Description	Drawing No.
Drawn			ACN62140-2000-600	REV01
Approved by				Unit:mm [inch]
			Scale : 1:10	Third angle projection
				Sheet:2

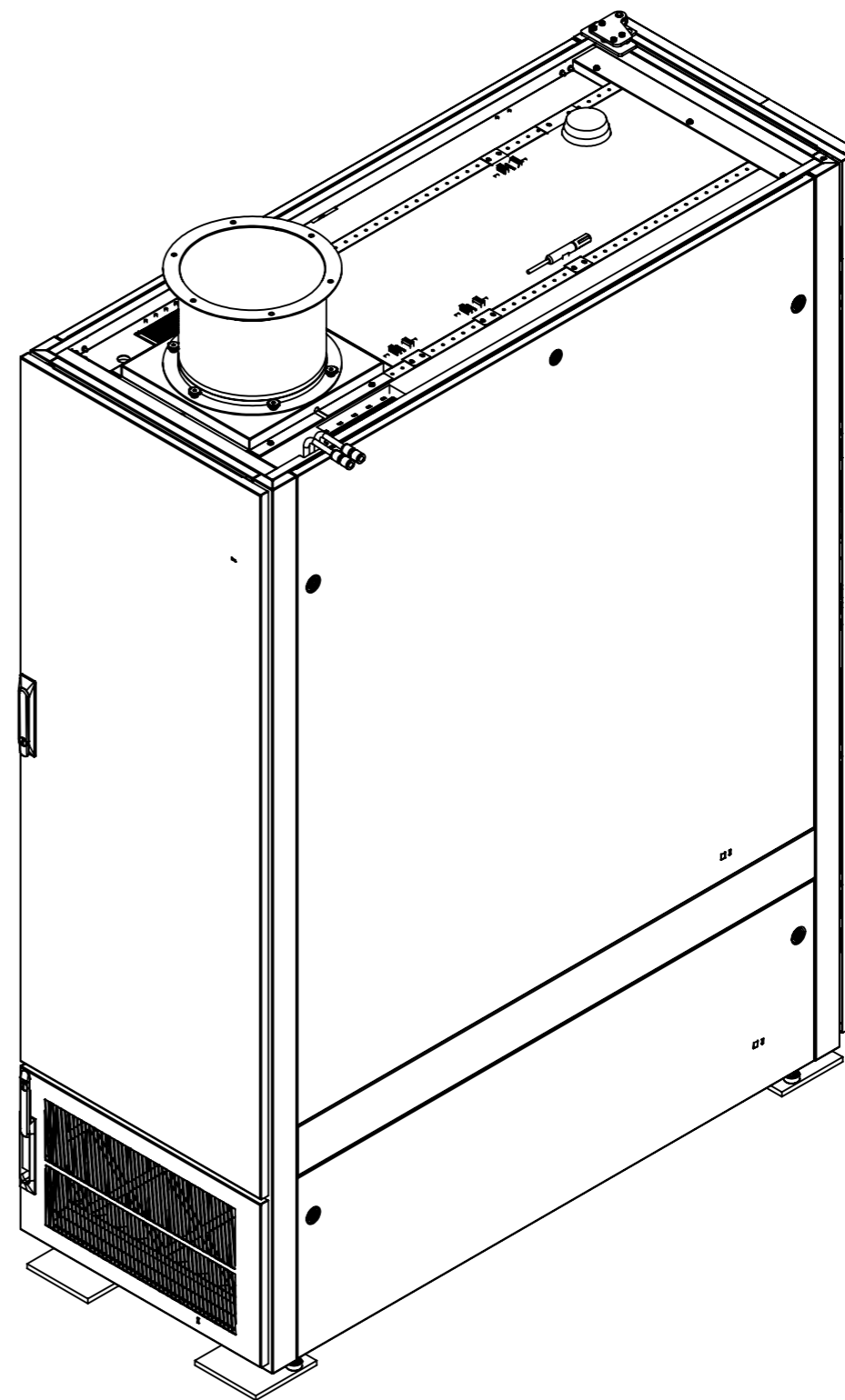
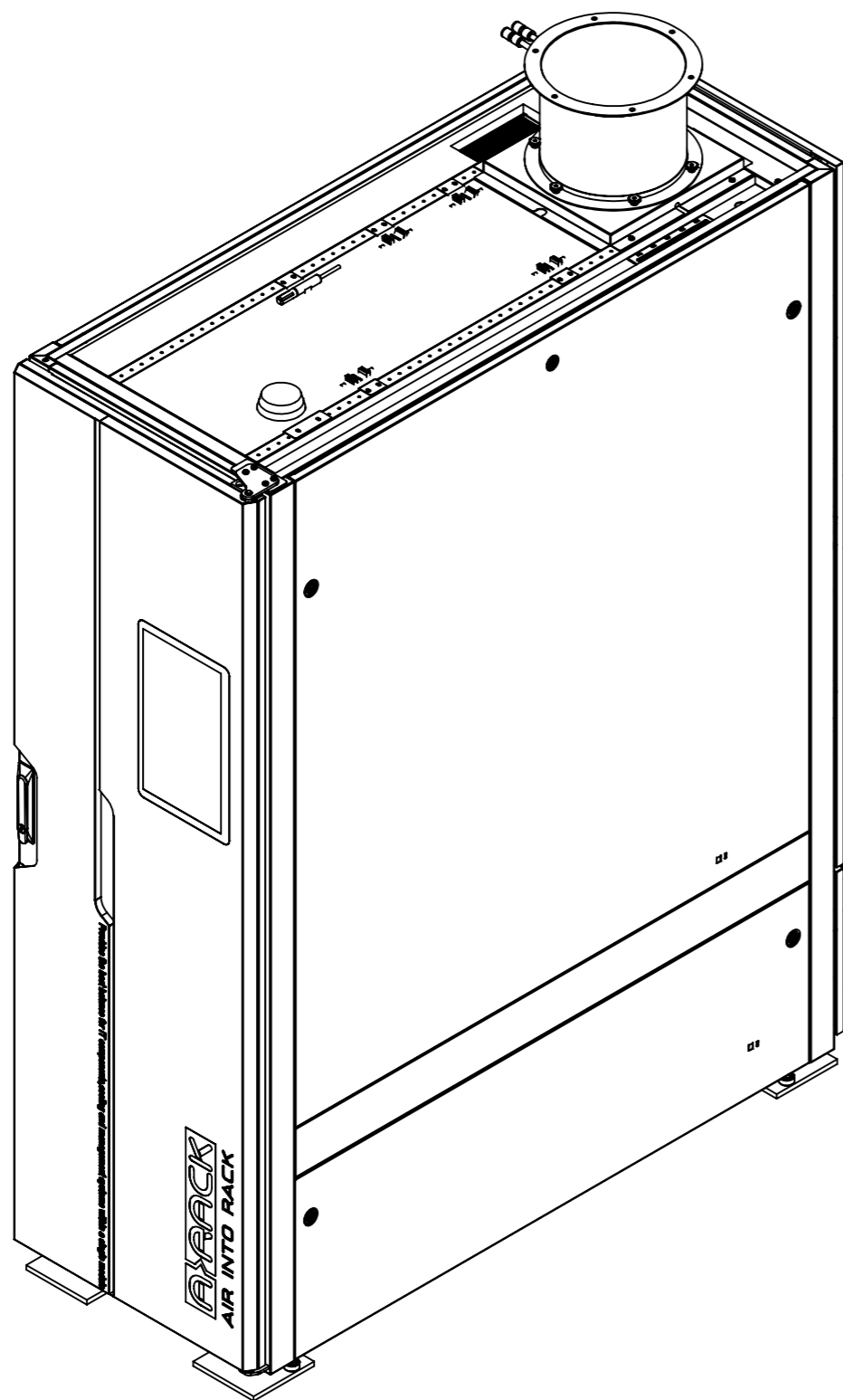
设计变更记录			
序号	设变内容	姓名	日期
1			





THIS DRAWING AND SPECIFICATIONS
HEREIN ARE THE PROPERTY OF
Rakworx AND SHALL NOT BE COPIED,
REPRODUCED OR
USED IN WHOLE OR IN PART, AS THE BASIS
FOR THE MANUFACTURE
OR SALE OF ITEMS WITHOUT WRITTEN
PERMISSION FROM Rakworx. THIS
DRAWING IS BASED UPON LATEST
AVAILABLE
INFORMATION AND IS SUBJECT TO
CHANGE WITHOUT NOTICE.

	Name	Date	Description	Drawing No.
Drawn			ACN62140-2000-600	REV01
Approved by				Unit:mm [inch]
 			Scale : 1:12	Third angle projection
				Sheet:3

序号	设变内容	姓名	日期
1			



THIS DRAWING AND SPECIFICATIONS
HEREIN ARE THE PROPERTY OF
Rakworx AND SHALL NOT BE COPIED,
REPRODUCED OR
USED IN WHOLE OR IN PART, AS THE BASIS
FOR THE MANUFACTURE
OR SALE OF ITEMS WITHOUT WRITTEN
PERMISSION FROM Rakworx. THIS
DRAWING IS BASED UPON LATEST
AVAILABLE
INFORMATION AND IS SUBJECT TO
CHANGE WITHOUT NOTICE.

	Name	Date	Description	Drawing No.
Drawn			ACN62140-2000-600	REV01
Approved by				Unit:mm [inch]
 			Scale : 1:12	Third angle projection
				Sheet:4